

CARANDINI



SPIN

Pleasant and safe
urban spaces

SPIN

The new generation Spin is characterised by a renewed design more elegant and aesthetic.

It features a simple design with a balanced silhouette, offering a harmony between the circular shape of the body and the straight lines of the bracket.

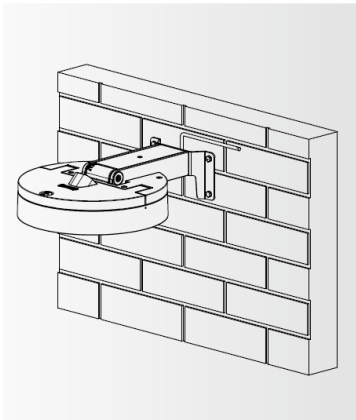
New PLUG&PLAY connector and its tool-free opening system allow for quick and easy installation and maintenance.

Dark Sky certified for preservation and protection of dark sky as well as reduction of light pollution.

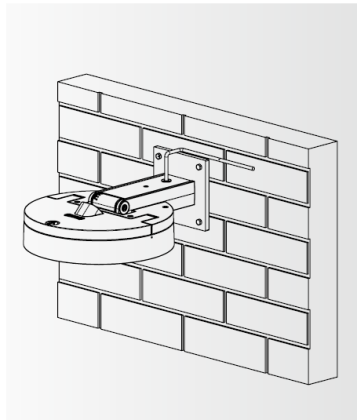


Certified by [DarkSky.org](https://www.darksky.org)

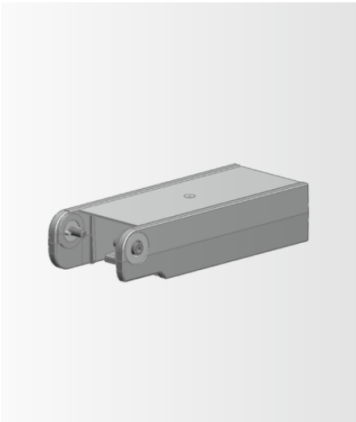
FIXATIONS



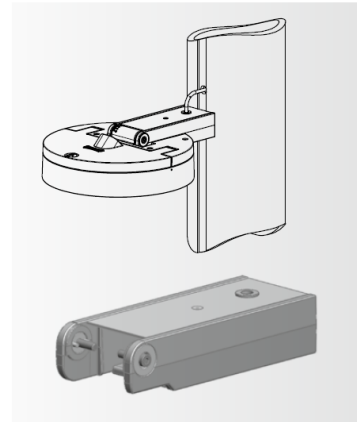
FMO
Wall fixation
(concealed hose cable outlet)



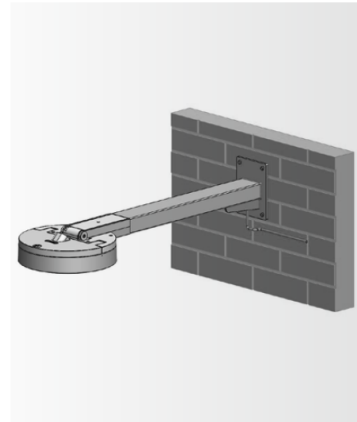
FMS
Wall fixation
(upper hose cable outlet)



BFO
Cast bracket
(concealed hose cable outlet)



BFS
Cast bracket
(upper hose cable outlet)



BMO
Steel arm
(concealed hose cable outlet)





VERSIONS



SPIN H

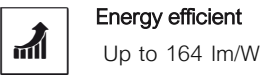
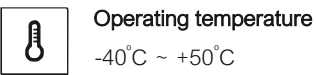
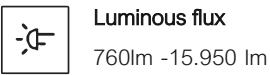
3.000lm - 15.950lm
 21W - 103W
 164 lm/W

SPIN M

3.000lm - 15.950lm
 21W - 103W
 164 lm/W

GENERAL DATA

Die Cast aluminium (Cu<0,1%) EN AC-44100.



Night Friendly
 FHS ULR
 99,29% Valorisation
 Foot Print: 0,013727Kg kWh

CERTIFICATES



COLOUR TEMPERATURE

Ámbar	K	K	K	K
Amber	2200	2700	3000	4000
Ambre				

CRI	CRI
>70	>80



NEW connector PLUG&PLAY for a quick and easy installation.



Easy maintenance. Tool-free access to the equipment.



The bracket incorporates marks for adjusting the inclination by degrees.



C. Y G. CARANDINI, S.A.U.

Headquarter

d'Anselm Clavé, 224
08186 Lliçà d'Amunt
Barcelona (Spain)
Tel.: (+34) 93.317.40.08

Madrid Office

C/ Cercedilla 11, Nave 1
28925 Ventorro del Cano, Alcorcón, Madrid (Spain)

More technical data on:

www.carandini.com
info@carandini.com

C. Y G. Carandini, S.A.U. reserves the right to modify its products without prior notice.

C. Y G. Carandini, S.A.U. 2023©

